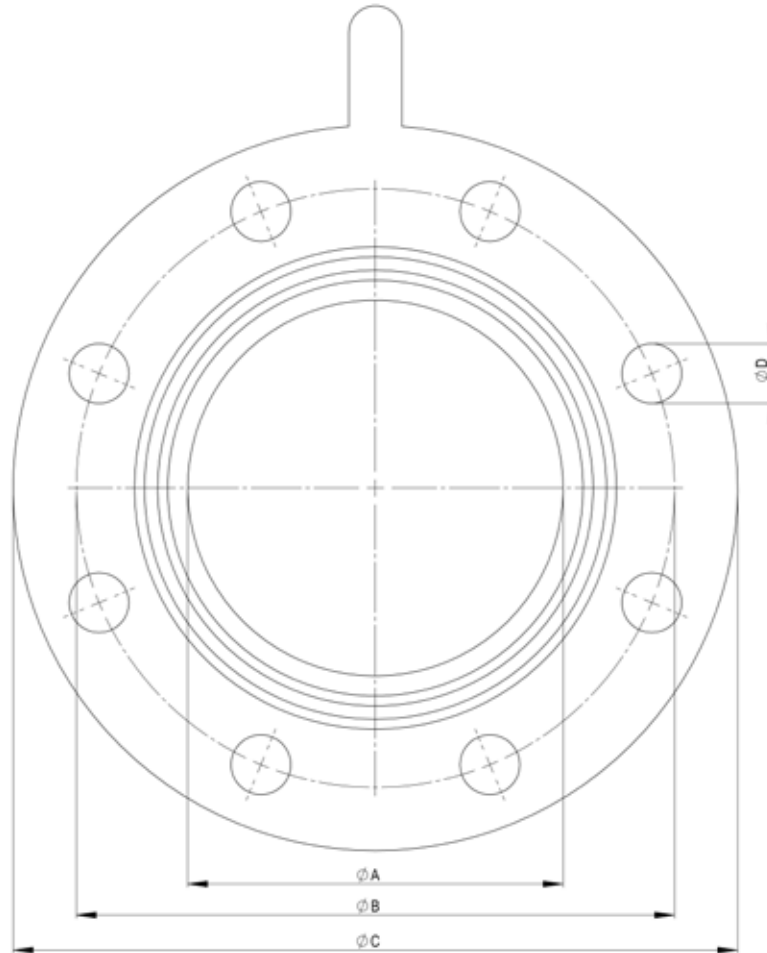


Gaskets

EPDM

EPDM/PTFE



| Size | Art. nr. EPDM | Art. nr. EPDM/PTFE | Ø A | Ø B | Ø C | Ø D | Holes |
|-------|---------------|--------------------|-----|-----|-----|-----|-------|
| DN20 | 1101900020 | 1101900020P | 27 | 75 | 104 | 14 | 4 |
| DN25 | 1101900025 | 1101900025P | 34 | 85 | 114 | 14 | 4 |
| DN32 | 1101900032 | 1101900032P | 43 | 100 | 140 | 18 | 4 |
| DN40 | 1101900040 | 1101900040P | 48 | 110 | 149 | 18 | 4 |
| DN50 | 1101900050 | 1101900050P | 60 | 125 | 163 | 18 | 4 |
| DN65 | 1101900065 | 1101900065P | 76 | 145 | 183 | 18 | 4 |
| DN80 | 1101900080 | 1101900080P | 88 | 160 | 198 | 18 | 8 |
| DN100 | 1101900100 | 1101900100P | 113 | 180 | 218 | 18 | 8 |
| DN125 | 1101900125 | 1101900125P | 140 | 210 | 250 | 18 | 8 |
| DN150 | 1101900150 | 1101900150P | 165 | 240 | 282 | 22 | 8 |
| DN200 | 1101900200 | 1101900200P | 216 | 295 | 337 | 22 | 8 |
| DN250 | 1101900250 | 1101900250P | 272 | 350 | 390 | 22 | 12 |
| DN300 | 1101900300 | 1101900300P | 313 | 400 | 440 | 22 | 12 |