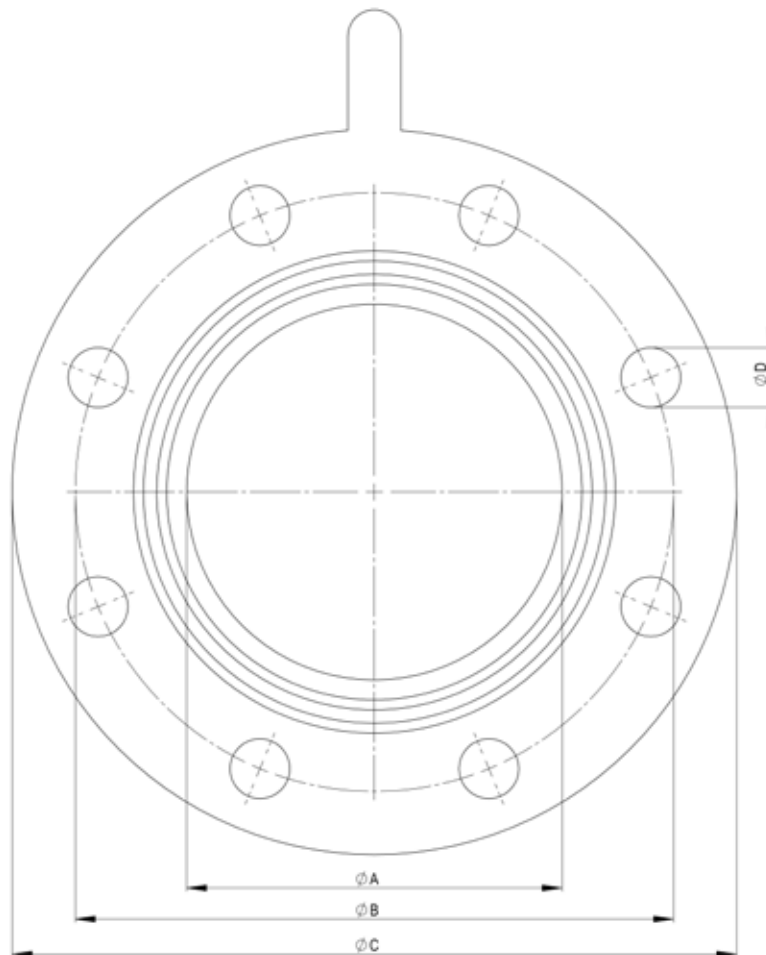


Manluckepackningar

EPDM

EPDM/PTFE



Storlek	Art. nr. EPDM	Art. nr. EPDM/PTFE	Ø A	Ø B	Ø C	Ø D	Hål
DN20	1101900020	1101900020P	27	75	104	14	4
DN25	1101900025	1101900025P	34	85	114	14	4
DN32	1101900032	1101900032P	43	100	140	18	4
DN40	1101900040	1101900040P	48	110	149	18	4
DN50	1101900050	1101900050P	60	125	163	18	4
DN65	1101900065	1101900065P	76	145	183	18	4
DN80	1101900080	1101900080P	88	160	198	18	8
DN100	1101900100	1101900100P	113	180	218	18	8
DN125	1101900125	1101900125P	140	210	250	18	8
DN150	1101900150	1101900150P	165	240	282	22	8
DN200	1101900200	1101900200P	216	295	337	22	8
DN250	1101900250	1101900250P	272	350	390	22	12
DN300	1101900300	1101900300P	313	400	440	22	12